

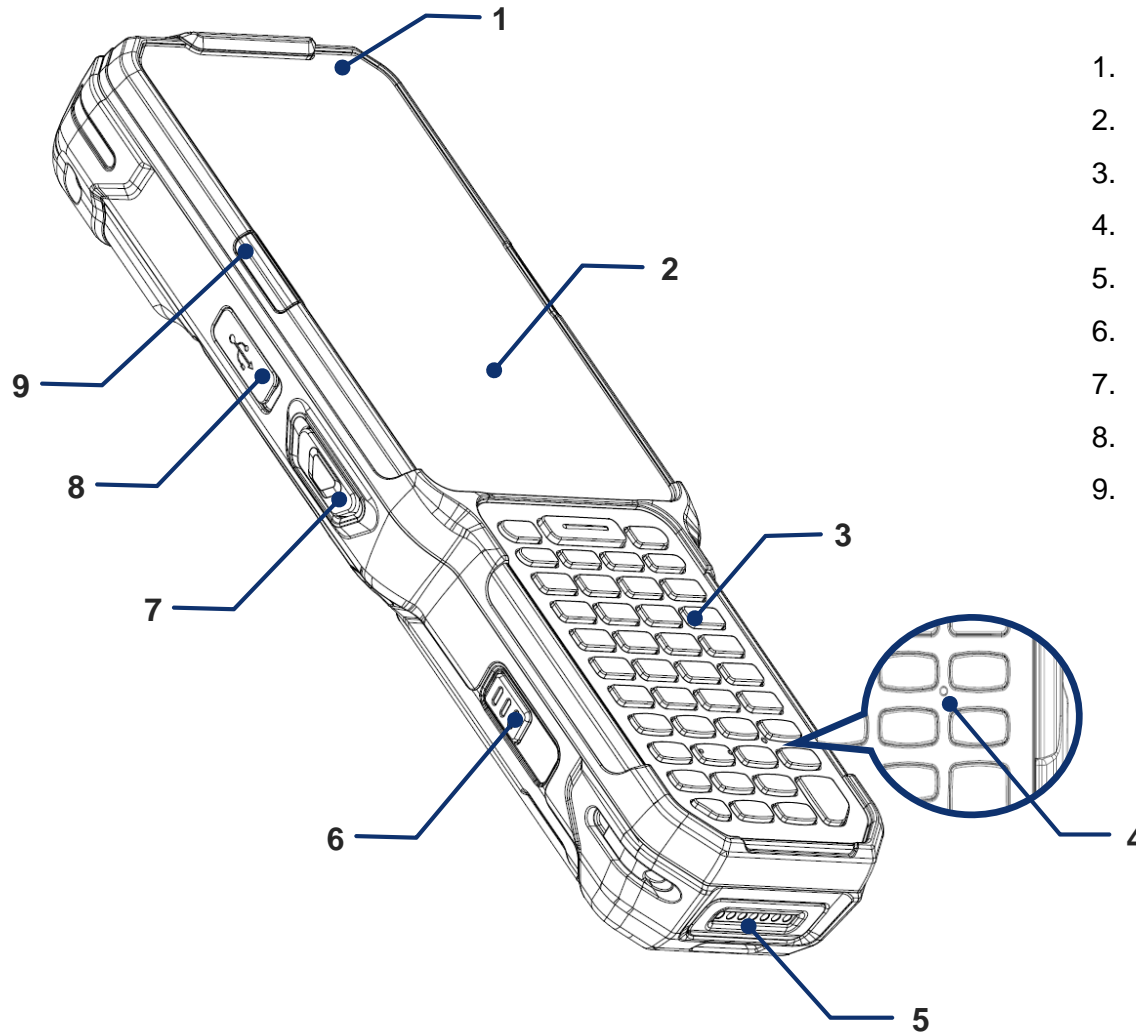
Quick Start Guide

PM451

V 1.0, Aug 2020
Copyright © 2020 Point Mobile Co., Ltd. All rights reserved.
Point Mobile Co., Ltd. is the designer and manufacturer of mobile handheld devices.
The Point Mobile logo is a registered trademark and symbol of Point Mobile Co., Ltd.
Features and specifications are subject to change without prior notice.

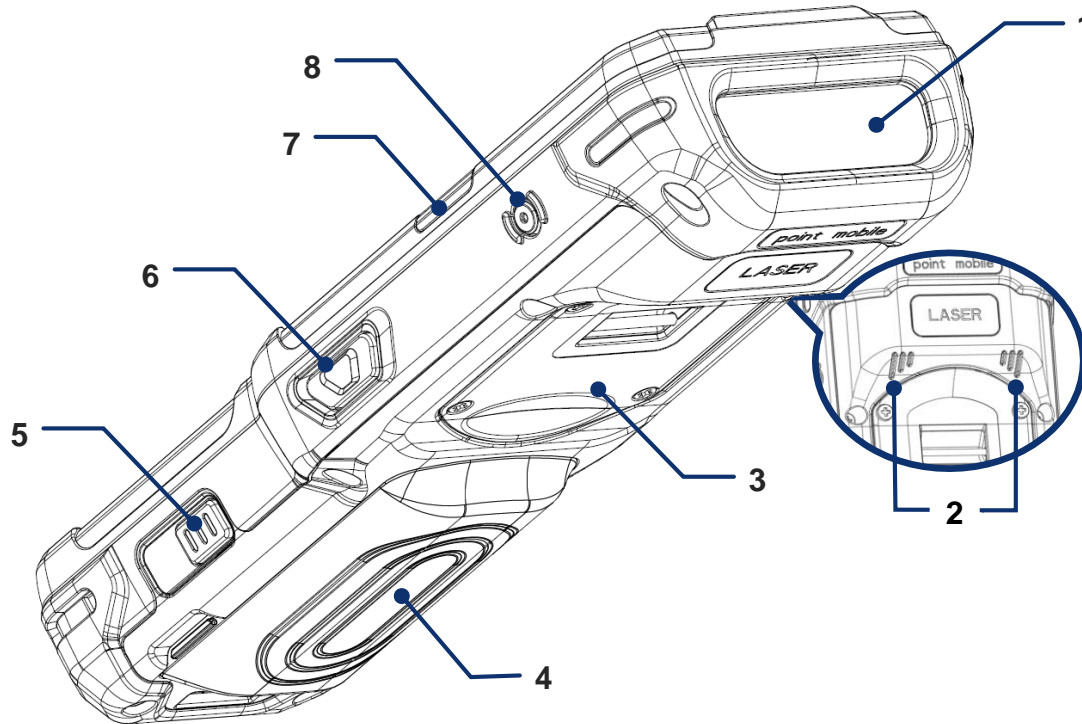


Device Parts



1. Front LED indicators
2. Display
3. Keypad
4. Microphone
5. I/O connector
6. Battery lock (Left)
7. Scan button (Left)
8. USB connector with cap
9. Center LED indicator (Left)

Device Parts



1. Scanner & Top Camera
2. Speaker
3. Gun handle connection part
4. Battery
5. Battery lock (Right)
6. Scan button (Right)
7. Center LED indicator (Right)
8. Power button

Product Standard Accessories



Extended battery pack
(5,700mAh)



Handstrap



AC/DC power supply



Stylus pen and tether



AC plug

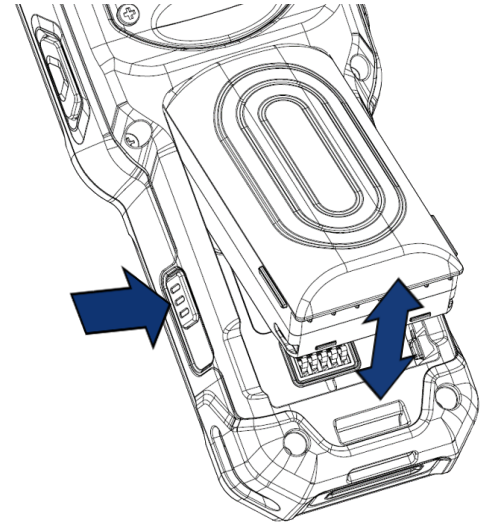


LCD protection film



USB type C cable

Battery Replacement



Remove Battery

1. Press and hold left & right battery lock simultaneously to release the battery
2. Pull the bottom of the battery up to remove the battery

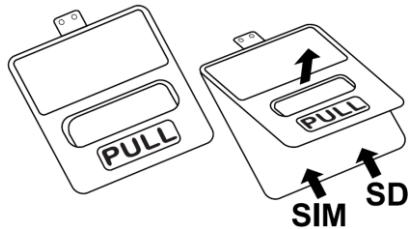
Insert Battery

1. Insert the charged battery from the top first
2. Push down the bottom
(Make sure the battery is inserted firmly)

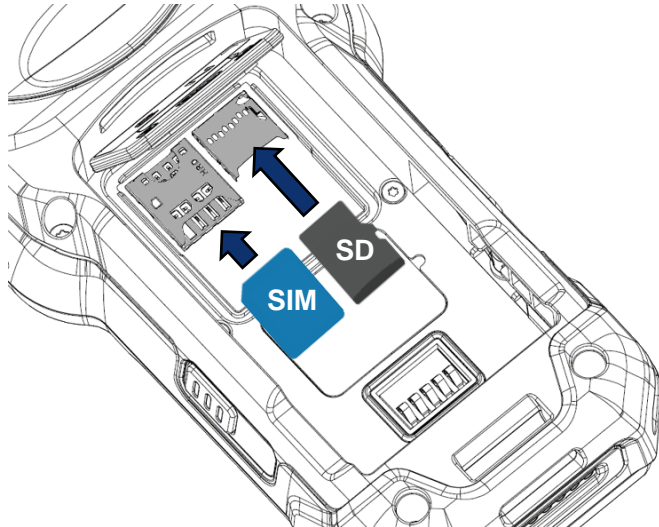
Install SIM, SD

PM451 supports micro SIM and microSD card. In order to install the cards, remove the battery and follow below steps.

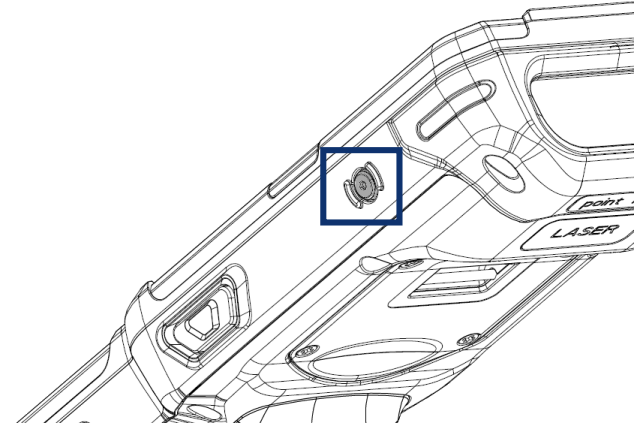
1. Grasp the hole of card slot cover and pull it up using a fingertip to open



2. Insert the micro SIM card and microSD card into proper slot in the correct orientation (Refer to below figure)



Turn on & off PM451



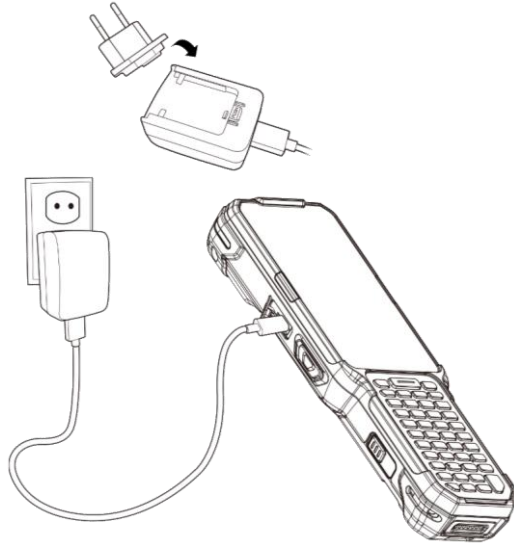
Turn on

Press and hold the **Power** button on the right side of PM451 until **SMART BEYOND RUGGED** logo displays on the screen.

Turn off

When the screen is on, press and hold the **Power** button until the power menu is shown. Then, tap **Power off** among the menu.

Charging the Device

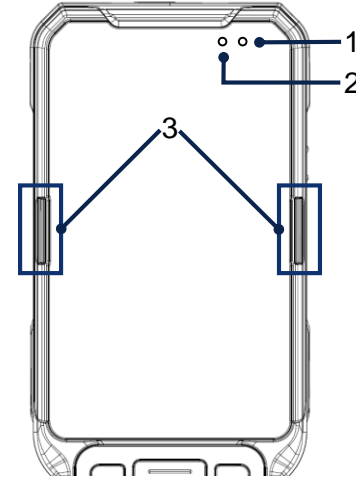


1. Assemble the AC/DC power supply, country plug and USB type C cable
2. Open the cap of the USB connector, and connect the USB type C cable
3. Provide power by plugging the power supply to the wall socket

< Caution >

1. *Always use an original power supply from Point Mobile. Other chargers and cables may damage the PM451. The device warranty does not cover any damage caused by the usage of non-original power supplies.*
2. *Make sure the charger and cable is not wet.*

LED Indicator



No	Indicator	Status	Indication
1	Notification LED	Solid red	Entered Hot swap mode
		Blinking blue	Notification existing
2	Power LED	Solid green	Device is completely charged
		Solid red	Charging the device / Battery is low
		Blinking red	Charging temperature is out of normal range / Battery is very low
		Alternately blinking red & green	Cannot recognize the main battery
3	Center LED	Solid blue	Barcode reading success
		Solid red	Barcode reading failed

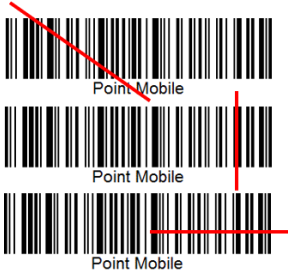
Scan a Barcode

Scanner is placed on the top of the PM451. Press the scan button to scan a barcode.



Please aim the middle of the barcode.

Even the aim point is slightly off-center of tilted, you can read the barcode.



If you aim the barcode wrong direction or aim point is too tilted to scan only the part of the barcode, you can't read the barcode.



Certification

Model: PM451

Trade name of certified: Point Mobile Co. Ltd.

Manufacturer: Point Mobile

For more certificate Information,
go **Settings** > **About phone** > **Certificates**

For More Information

Download the user manual of PM451 from Point Mobile homepage.

Please visit www.pointmobile.co.kr